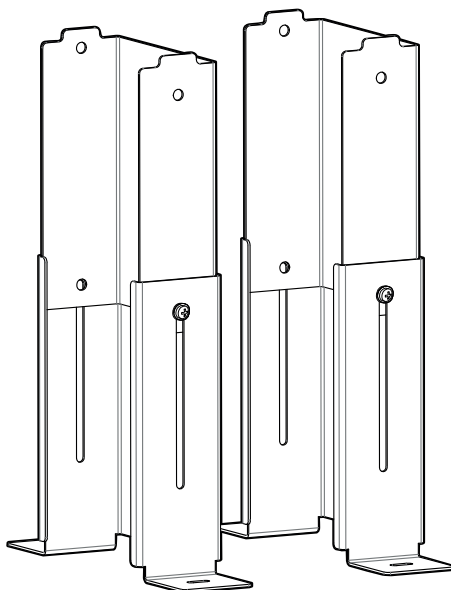




ADJUSTABLE BRACKETS KIT VORT PIV QUADRO

UK
CA CE



Security

The following instructions refer exclusively to the assembly of the accessory with VORT PIV QUADRO unit. For the installation of the PIV unit refer to its specific manual.



Safety/Warnings



- After removing the accessory from its packaging, ensure that it is complete and undamaged. If in doubt contact an authorised VORTICE service centre. Do not leave packaging within the reach of children or persons with reduced physical, sensory or mental capabilities.
- Store the accessory out of the reach of children and or persons with reduced physical, sensory or mental capabilities.



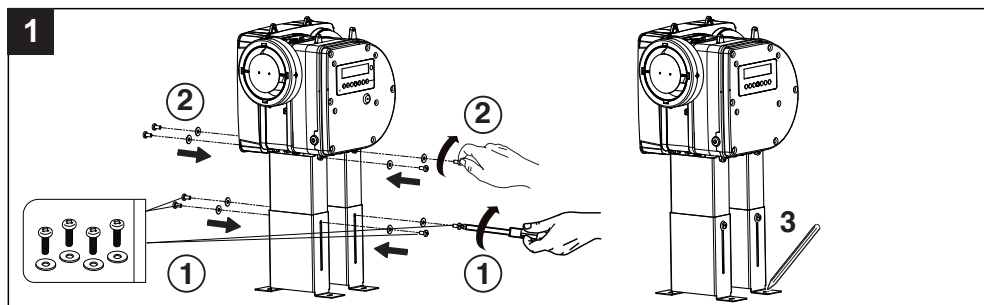
- Do not use this accessory for functions other than those described in this booklet.
- Do not make modifications of any kind to this accessory.



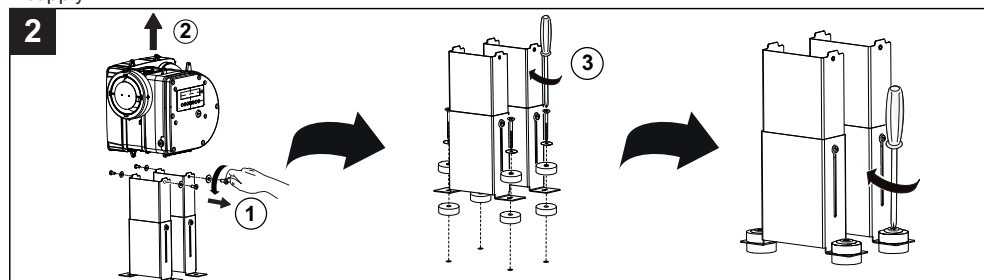
- Should the accessory be dropped or suffer a heavy blow, have it checked immediately by VORTICE.

Installation

- a) Fix the two parts of each bracket together by means of the screws and washers provided (1).
- b) Place the fan unit over the brackets. Use the screws and washers provided with the unit supply to secure the assembly (2).
- c) Mark the holes on the loft floor with a pencil (3).



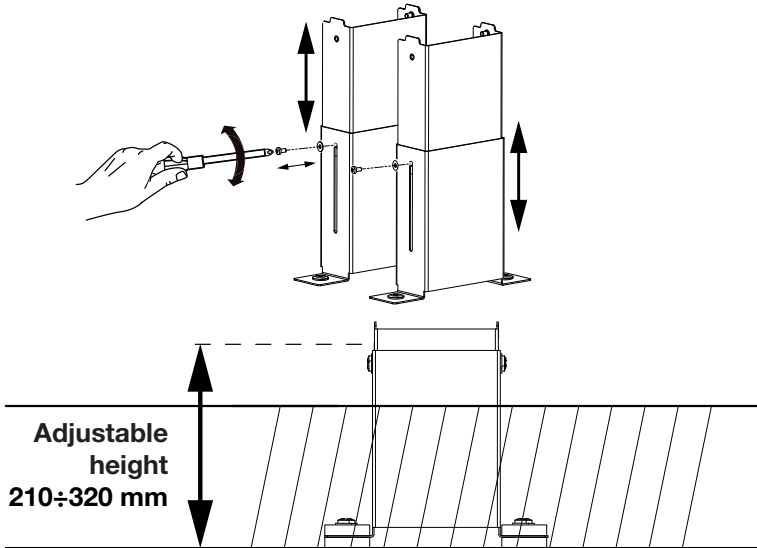
- a) Disassemble the unit from the brackets and attach the brackets to the loft floor by placing the anti-vibration mounts above and below each bracket fixing point. Use the screws and washers provided with the PIV unit supply.



ENGLISH

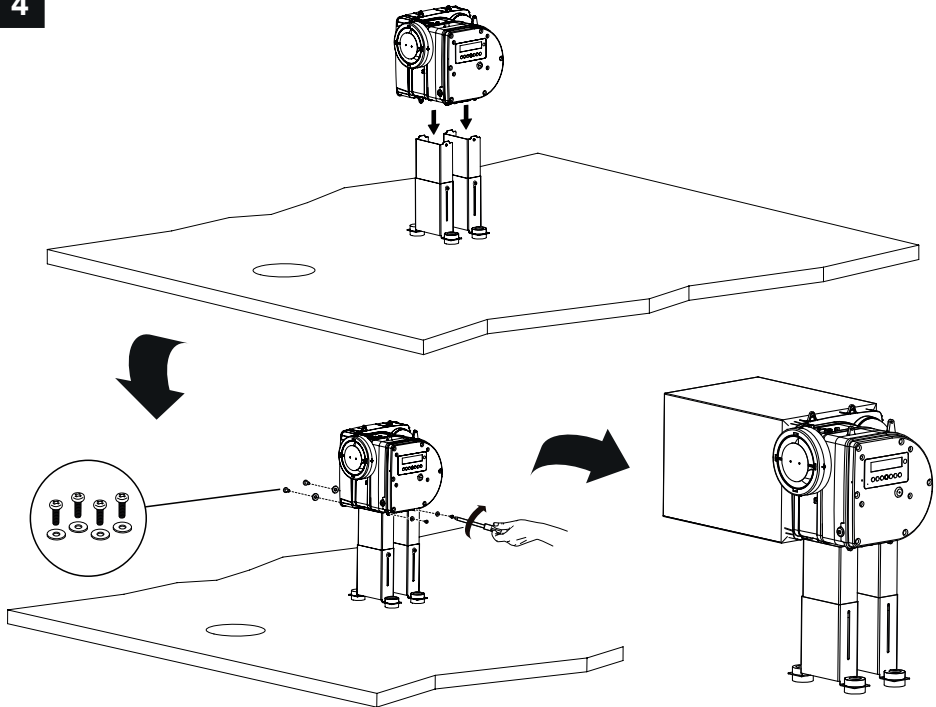
e) Adjust the brackets to the desired height.

3



f) Secure the fan unit to the brackets using the screws and washers provided with the PIV unit supply.
g) Attach the filter to the unit (refer to the VORT PIV QUADRO manual).

4





VORTICE S.p.A. si riserva il diritto di apportare tutte le varianti migliorative ai prodotti in corso di vendita.
VORTICE S.p.A. reserves the right to make improvements to products at any time and without prior notice.
VORTICE S.p.A. se réserve le droit d'apporter toutes les variations afin d'améliorer ses produits en cours de commercialisation.
VORTICE S.p.A. behält sich vor, alle eventuellen Verbesserungsänderungen an den Produkten des Verkaufsangebots vorzunehmen.
VORTICE S.p.A. se reserva el derecho a hacer cambios en los productos para su mejora en cualquier momento sin previo aviso.
VORTICE S.p.A. 公司 股份有限公司 保留在产品销售期间进行产品改良的权利。

VORTICE GROUP COMPANIES

VORTICE S.p.A.
Strada Cerca, 2 - frazione di Zoate
20067 - Tribiano (MI)
Tel. +39 02-90.69.91
ITALY
vortice.com
postvendita@vortice-italy.com

VORTICE INDUSTRIAL Srl
Via B. Brugnoli, 3
37063 - Isola della Scala (VR)
Tel. +39 045 6631042
ITALY
vorticeindustrial.com
info@vorticeindustrial.com

VORTICE VENTILATION SYSTEM (CHANGZHOU) CO.LTD
Building 19, No.388 West Huanghe Road, Xinbei District,
Changzhou, Jiangsu Province CAP:213000
CHINA
vortice-china.com
vortice@vortice-china.com

VORTICE LIMITED
Beeches House-Eastern Avenue
Burton on Trent - DE 13 0BB
Tel. +44 1283-49.29.49
UNITED KINGDOM
vortice.ltd.uk
sales@vortice.ltd.uk

VORTICE LATAM S.A.
Bodega #6
Zona Franca BES Alajuela - Alajuela 20101
Tel. (+506) 2201 6934
COSTA RICA
vortice-latam.com
info@vortice-latam.com

CASALS VENTILACIÓN INDUSTRIAL IND., S.L.
Ctra. Camprodon, s/n
17860 - Sant Joan de les Abadesses (Girona)
SPAIN
casals.com
ventilacion@casals.com